

# Technical data sheet

Product features



## Cooking range electric square 4 zones

<b>Model</b>	<b>SAP Code</b>	00013581
--------------	-----------------	----------

- Device type: Electric unit
- Protection of controls: IPX5
- Material: Stainless steel



<b>SAP Code</b>	00013581	<b>Net Weight [kg]</b>	38.00
<b>Net Width [mm]</b>	800	<b>Power electric [kW]</b>	16.000
<b>Net Depth [mm]</b>	800	<b>Loading</b>	400 V / 3N - 50 Hz
<b>Net Height [mm]</b>	50		

# Technical data sheet

Technical drawing

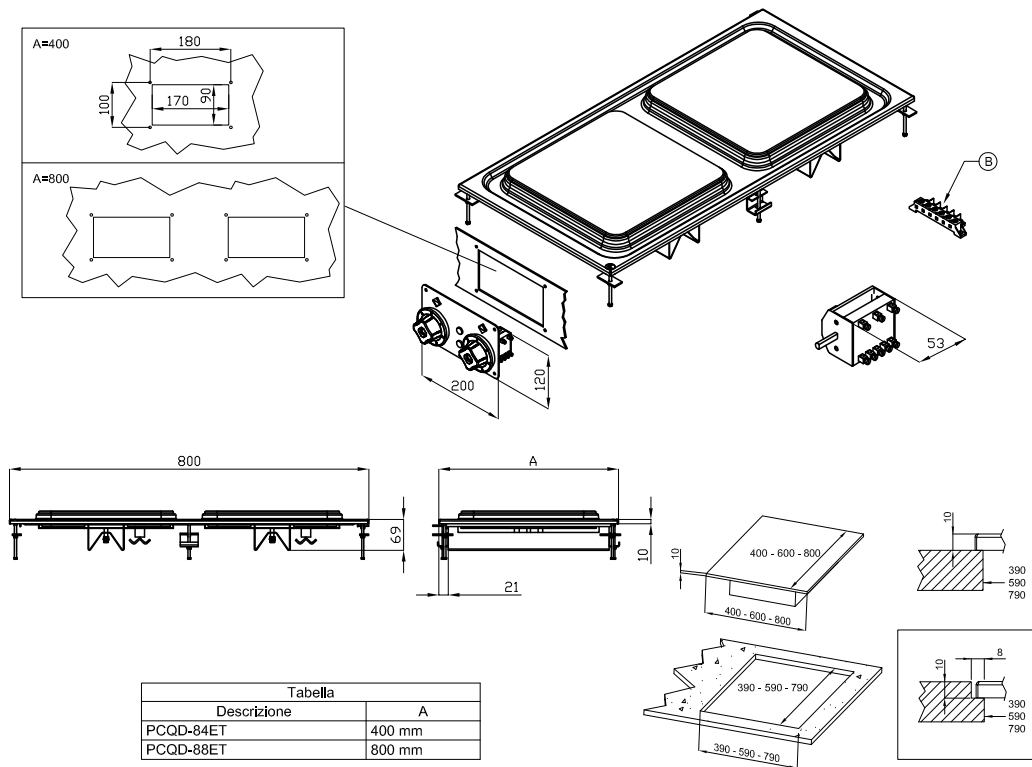


## Cooking range electric square 4 zones

Model

SAP Code

00013581



# Technical data sheet

Technical parameters



## Cooking range electric square 4 zones

<b>Model</b>	<b>SAP Code</b>	00013581
--------------	-----------------	----------

**1. SAP Code:**

00013581

**2. Net Width [mm]:**

800

**3. Net Depth [mm]:**

800

**4. Net Height [mm]:**

50

**5. Net Weight [kg]:**

38.00

**6. Gross Width [mm]:**

830

**7. Gross depth [mm]:**

970

**8. Gross Height [mm]:**

540

**9. Gross Weight [kg]:**

48.00

**10. Device type:**

Electric unit

**11. Construction type of device:**

Drop-in

**12. Power electric [kW]:**

16.000

**13. Loading:**

400 V / 3N - 50 Hz

**14. Protection of controls:**

IPX5

**15. Material:**

Stainless steel

**16. Worktop type:**

Molded - comfortable cleaning maintenance

**17. Worktop material:**

AISI 304

**18. Worktop Thickness [mm]:**

2.00

**19. Standard equipment for device:**

4 4

**20. Maximum device temperature [°C]:**

300

**21. Minimum device temperature [°C]:**

50

**22. Number of power control stages:**

6

**23. Service accessibility:**

From the front by removing the front panel and waste fluid containers

**24. Safety element:**

internal thermostatic protection of the hotplate against overheating

**25. Safety thermostat:**

Yes

**26. Number of burners/hot plates:**

4

# Technical data sheet

Technical parameters



## Cooking range electric square 4 zones

<b>Model</b>	<b>SAP Code</b>	00013581
--------------	-----------------	----------

### 27. Type of electric cooking zones:

Squared